



Jackson Warewashing Systems

TempStar® with Ventless and Energy Recovery

Project _____
 Item _____
 Quantity _____
 CSI Section 11400 _____
 Approval _____
 Date _____

TempStar® with Ventless and Energy Recovery

Models

- TempStar® VER TempStar® HH-E VER



Standard Features

- Ventless: Does not require a hood
- Energy Recovery
- Internal condensing system minimizes water vapor
- Sani-Sure™ final rinse system ensures proper rinse water temperature
- Multi-cycle timer (Extra Heavy, Heavy, Medium, Normal)
- Specially designed stainless steel nozzles provide superior cleaning action
- Auto-fill/auto-start
- Door switch
- Built-in pressure regulator and door interlock are standard
- Delime/manual wash switch
- Hi-limit thermostat and low water protection
- Uses standard 20" X 20" (508 mm X 508 mm) racks
- Detergent/rinse additive signal connection fuse box
- Self-draining stainless steel pump
- Built-in 70° F (38.9° C) rise booster heater
- Field convertible from straight through to corner and vice versa (kit required)

Mandatory Specs

Specify voltage _____

Specify booster size _____

Options

- 460V Electrical
- Single Phase
- Drain Water Tempering Kit
- Scaltrol
- Water Hammer Arrestor
- Flanged Feet
- False Panel
- Security Package

Accessories

- 36-Compartment Rack
 - 4-1/8" tall (105 mm)
 - 5-5/8" tall (143 mm)
 - 7" tall (178 mm)
- Combination Rack
- Peg Rack

Specifications

TempStar VER uses 0.89 gallons (3 liters) of water per rack; TempStar HH-E VER uses 0.72 gallons (2.73 liters) of water per rack

TempStar VER (normal) cycle time - 87 seconds
TempStar HH-E VER(normal) cycle time - 90 seconds

TempStar VER - 39 racks per hour (normal cycle)
TempStar HH-E VER - 37 racks per hour (normal cycle)

Single point connections for all utilities

Cold water connection only

Durable stainless steel construction

TempStar VER - 17.25" (438 mm) vertical chamber clearance

TempStar HH-E - 20.75" wide x 27" high (527 mm x 686 mm) opening accommodates 18"x 26" (457 mm x 660 mm) sheet pans and 60-quart mixing bowls

TempStar VER is field phase convertible (kit required)

Both models require some assembly



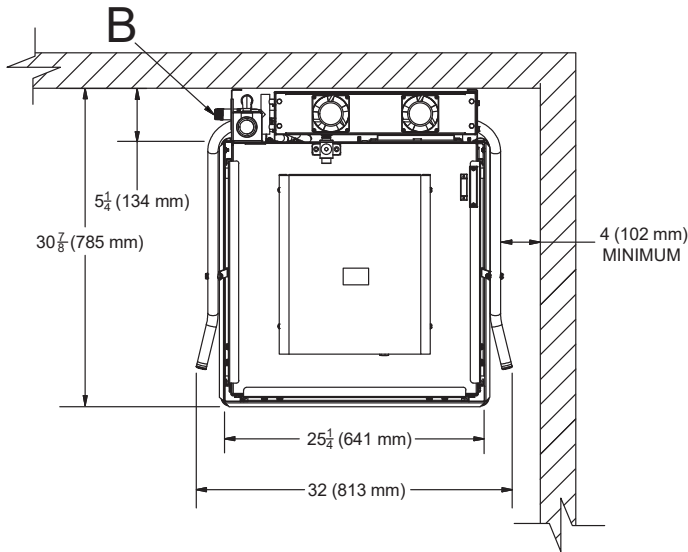
Intertek



Intertek



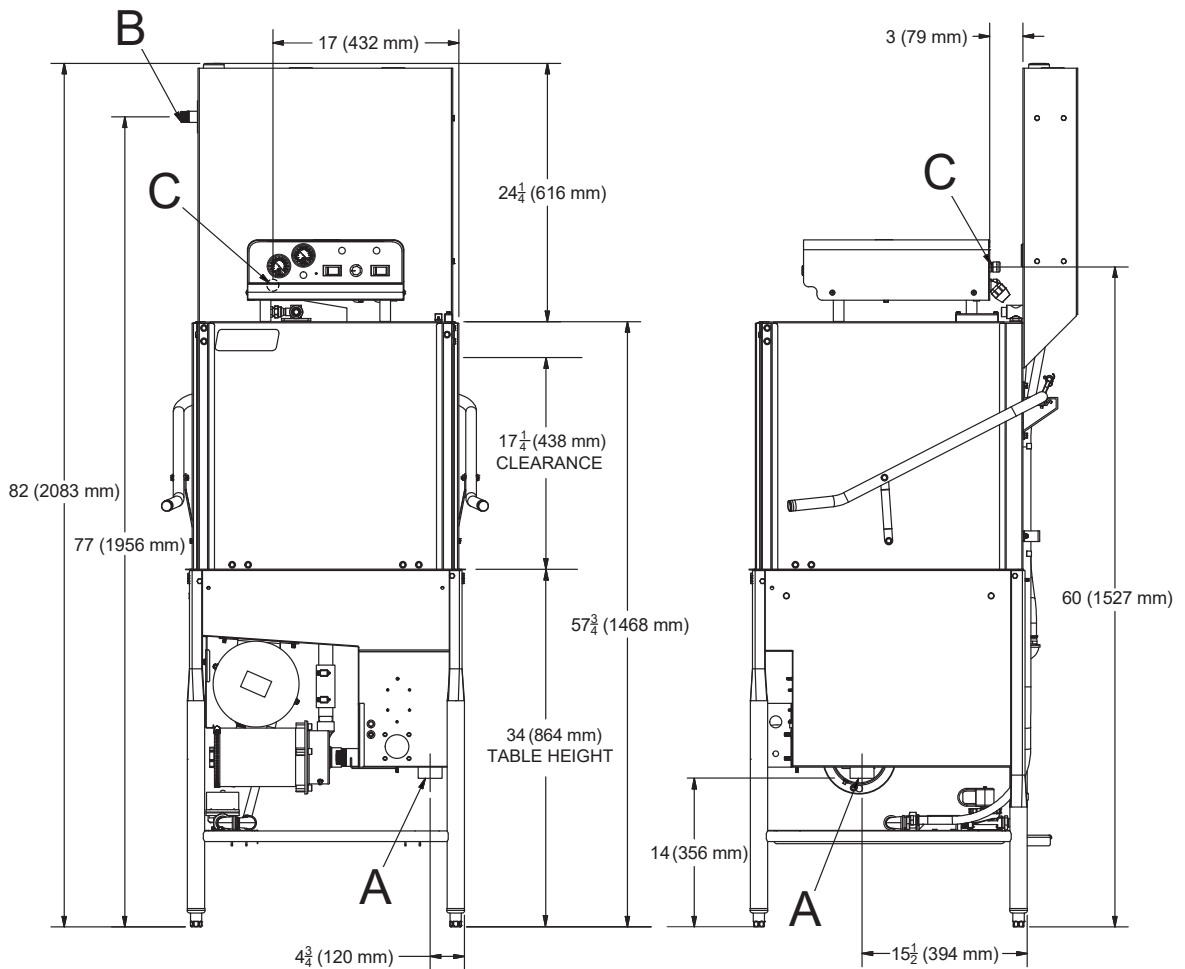
TempStar VER



LEGEND

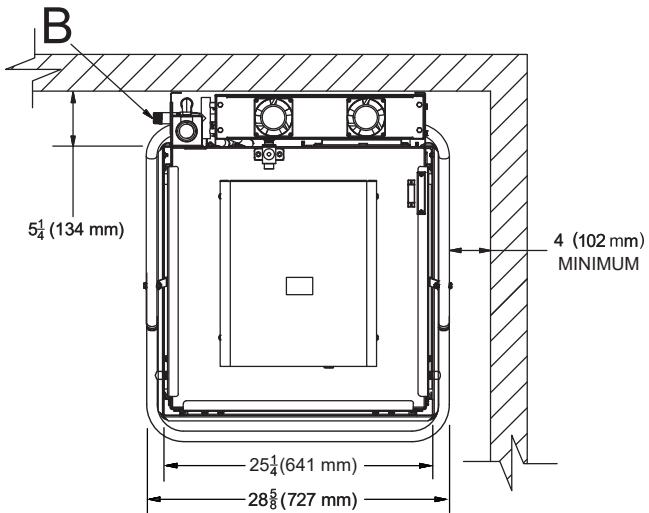
- A - Drain (1 1/2" NPT)
- B - Water Inlet (3/4" NPT)
- C - Electrical Connection

All dimensions from the floor can be increased 2" using the machine's adjustable feet.



TempStar HH-E VER

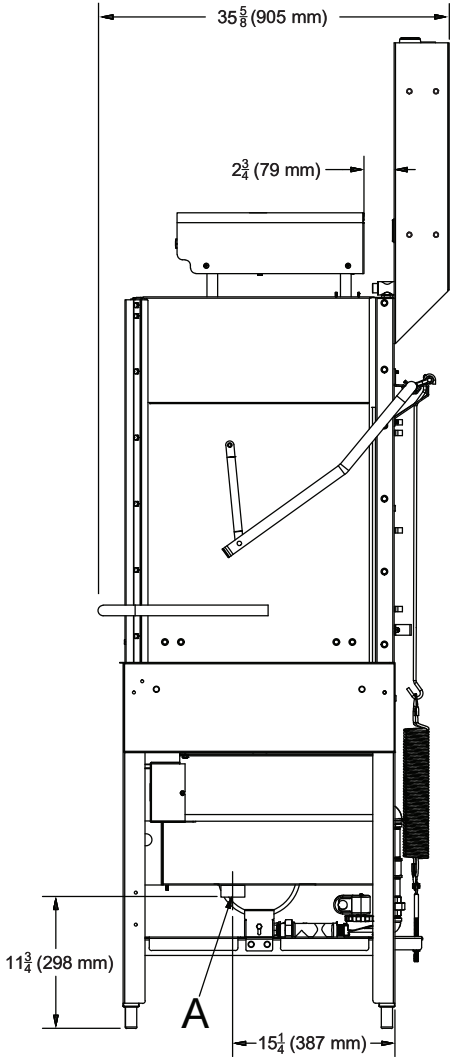
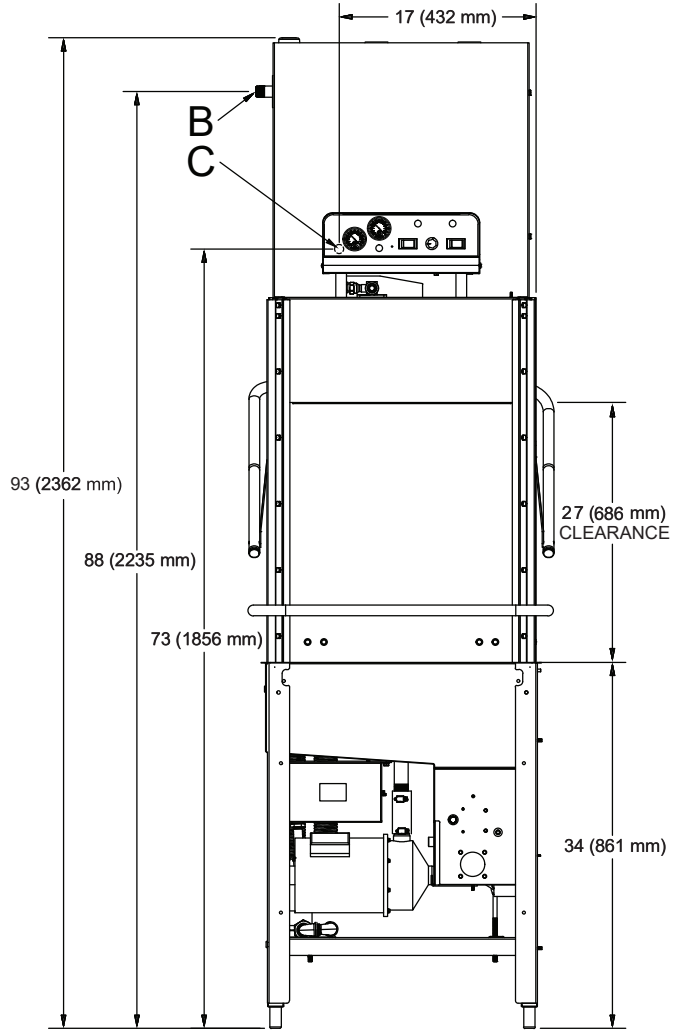
TempStar® with Ventless and Energy Recovery



LEGEND

- A - Drain (1 1/2" NPT)
- B - Water Inlet (3/4" NPT)
- C - Electrical Connection

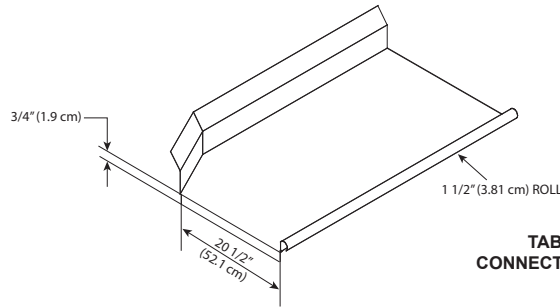
All dimensions from the floor can be increased 2" using the machine's adjustable feet.





Warewashing Systems

TempStar® with Ventless and Energy Recovery



**TABLE DIMENSIONS
CONNECTION TO DISHWASHER**

MODEL NO.	MACHINE DIMENSIONS				DRAIN HEIGHT	SHIPPING INFORMATION					
	HEIGHT	WIDTH	WIDTH BETWEEN TABLES	DEPTH		WEIGHT	CLASS	CUBE	HEIGHT	WIDTH	DEPTH
TempStar VER	82" (2083 mm)	32" (813 mm)	25-1/4" (641 mm)	30-7/8" (785 mm)	14" (356 mm)	358 lbs (163 kg)	200	87.79 cu. ft.	86" (2185 mm)	42" (1067 mm)	42" (1067 mm)
TempStar HH-E VER	93" (2362 mm)	28-5/8" (727 mm)	25-1/4" (641 mm)	35-5/8" (905 mm)	11-3/4" (298 mm)	451 lbs (205 kg)	200	84.35 cu. ft.	82.625" (2099 mm)	42" (1067 mm)	42" (1067 mm)

DIMENSION REQUIREMENTS	
Wall Clearance (minimum)	0" (0 mm)
Clearance above Heat Exchanger (minimum)	6" (152 mm)
Standard Table Height	34" (864 mm)
Inside Vertical Clearance - TempStar VER	17-1/4" (438 mm)
Inside Vertical Clearance - TempStar HH-E VER	27" (686 mm)

WATER REQUIREMENTS	TempStar VER	TempStar HH-E VER
Inlet Temperature	40 - 90 °F (4.4 - 32.2 °C)	
Gallons per Hour	35 gal (133 L)	39.6 gal (150 L)
Gallons per Rack	0.89 gal (3 L)	0.72 gal (2.73 L)
Waterline Size MIP (minimum)	3/4"	3/4"
Drainline Size IPS (minimum)	1- 1/2"	1- 1/2"
Flow Pressure (PSI) Connection	40	40
Operating Flow Pressure (PSI)	10	10
Wash Tank Capacity	8 gal (30 L)	8 gal (30 L)
Booster Tank Capacity	3 gal (11 L)	3 gal (11 L)

OPERATING CAPACITY				
	Normal	Medium	Heavy	Extra Heavy
Racks per Hour - TempStar VER	39	24	17	11
Racks per Hour - TempStar HH-E VER	37	23	17	11

APPROXIMATE LOAD AMPS	TempStar VER	TempStar HH-E VER
Power Supply	AMPS	AMPS
208V/60HZ/1PH	75.8	87
208V/60HZ/3PH	46.3	55
230V/60HZ/1PH	83.6	96
230V/60HZ/3PH	50.7	61
460V/60HZ/3PH	24.1	28

OPERATING TEMPERATURES	
Wash (minimum) - TempStar VER	150 °F (66 °C)
Wash (minimum) - TempStar HH-E VER	155 °F (69 °C)
Rinse (minimum)	180 °F (82 °C)

TANK HEATER SPECIFICATIONS		
	Volts	KW
Electric Wash Tank Heater	208V	4.1
	230V	5.0
	460V	5.0
Electric Rinse Tank Heater - 70°F (38.9°C) Rise	208V	10.5
	230V	12.9
	460V	12.9

OPERATING CYCLE FOR TEMPSTAR VER					
	Wash	Rinse	Dwell	Condensate Removal	Total Cycle
Normal	40	13	4	30	87
Medium	100	13	4	30	147
Heavy	160	13	4	30	207
Extra Heavy	280	13	4	30	327

WASH PUMP MOTOR	
Wash Pump Motor - TempStar VER	1 hp
Wash Pump Motor - TempStar HH-E VER	2 hp

OPERATING CYCLE FOR TEMPSTAR HH-E VER					
	Wash	Rinse	Dwell	Condensate Removal	Total Cycle
Normal	40	10	10	30	90
Medium	103	10	10	30	153
Heavy	163	10	10	30	213
Extra Heavy	283	10	10	30	333

HOW TO SPECIFY: TempStar® VER
HOW TO SPECIFY: TempStar® HH-E VER

AMBIENT HEAT LOAD (as tested on standard height model)	
Latent Heat (BTU)	5300
Sensible Heat (BTU)	4500

Jackson WWS, Inc.
Shipping Address: 6209 North U.S. Highway 25E, Gray, KY 40734
Mailing Address: P.O. Box 1060, Barbourville, KY 40906
Telephone: 888-800-5672 • Fax: 606-523-1799
Email: info@jacksonwws.com
07610-002-66-59B [10/15/2020]

www.jacksonwws.com

We reserve the right to change specifications in this bulletin without incurring any obligation for equipment previously or subsequently sold.